



308 NORTH ST ANDREWS STREET  
DOTHAN, ALABAMA 36303  
[WWW.THEPLANTDOTHAN.COM](http://WWW.THEPLANTDOTHAN.COM)  
[INFO@THEPLANTDOTHAN.COM](mailto:INFO@THEPLANTDOTHAN.COM)  
334-673-4313

## **VENUE TECHNICAL ONE SHEET**

### **STAGE DIMENSIONS:**

CONCRETE DECK AREA - 32' X 24' X 3'

8' WIDE RAMP FROM LOADING AREA TO DECK LANDING / APPROX. 20' PUSH TO DECK

ROOF DIMENSIONS 31' X 23' (BLACK VINYL TARP ROOF)

STEEL BEAM STRUCTURE FOR ROOF SUPPORT

### **LOGISTICS:**

4 STANDARD HEIGHT TRUCK DOCKS WITH PLATES AVAILABLE (APPROX. 50' PUSH TO STAGE DOWN DOCK RAMP)

GROUND LOADING FROM BUS PARKING AVAILABLE WITH ABOVE MENTIONED RAMP.

### **RIGGING:**

UPSTAGE 12" I-BEAM / 18' TRIM

DOWNSTAGE 12" I-BEAM / 21' TRIM

MIDSTAGE FLYABLE BY HANGING FROM SIDE BEAMS / 12" I-BEAM (31' SPREAD)

PA FLYBARS - 6" I-BEAM 1/2 TON CAPACITY / 22' TRIM

RECOMMENDED RIGGING IS BEAM CLAMP FROM BOTTOM OF BEAM (2 POINTS DS, 2 POINTS US)

SCISSOR LIFT IS REQUIRED FOR HANGING POINTS

### **ELECTRICAL SPECS:**

1 - 200 AMP / LEG 3-PHASE 208 VOLT DISCONNECT

### **SHORE POWER:**

2 - 50 AMP SINGLE PHASE 208 VOLT (50A RANGE PLUG STRAIGHT BLADE)

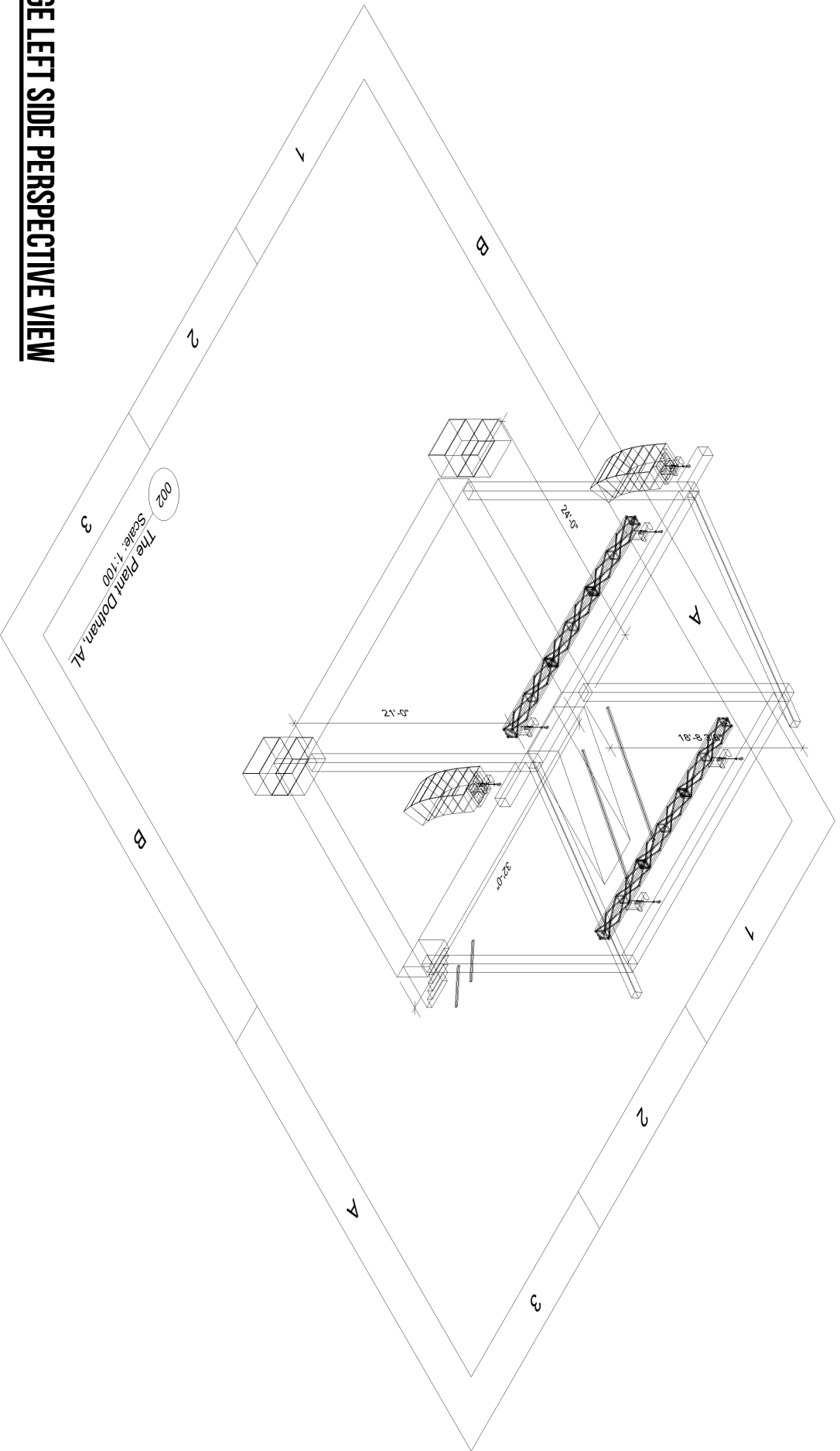
### **HOUSE LIGHTING:**

FESTOON TYPE EDISON LAMP STRING LIGHTING (MANUALLY DIMMABLE BY VENUE / NO DMX CONTROL)

### **LOCAL PRODUCTION CONTACT:**

PREMIER ENTERTAINMENT GROUP / DAVE GUILER / 334.790.5986 / [INFO@PEGPRODUCTION.COM](mailto:INFO@PEGPRODUCTION.COM) / [WWW.PEGPRODUCTION.COM](http://WWW.PEGPRODUCTION.COM)

**STAGE LEFT SIDE PERSPECTIVE VIEW**



1

2

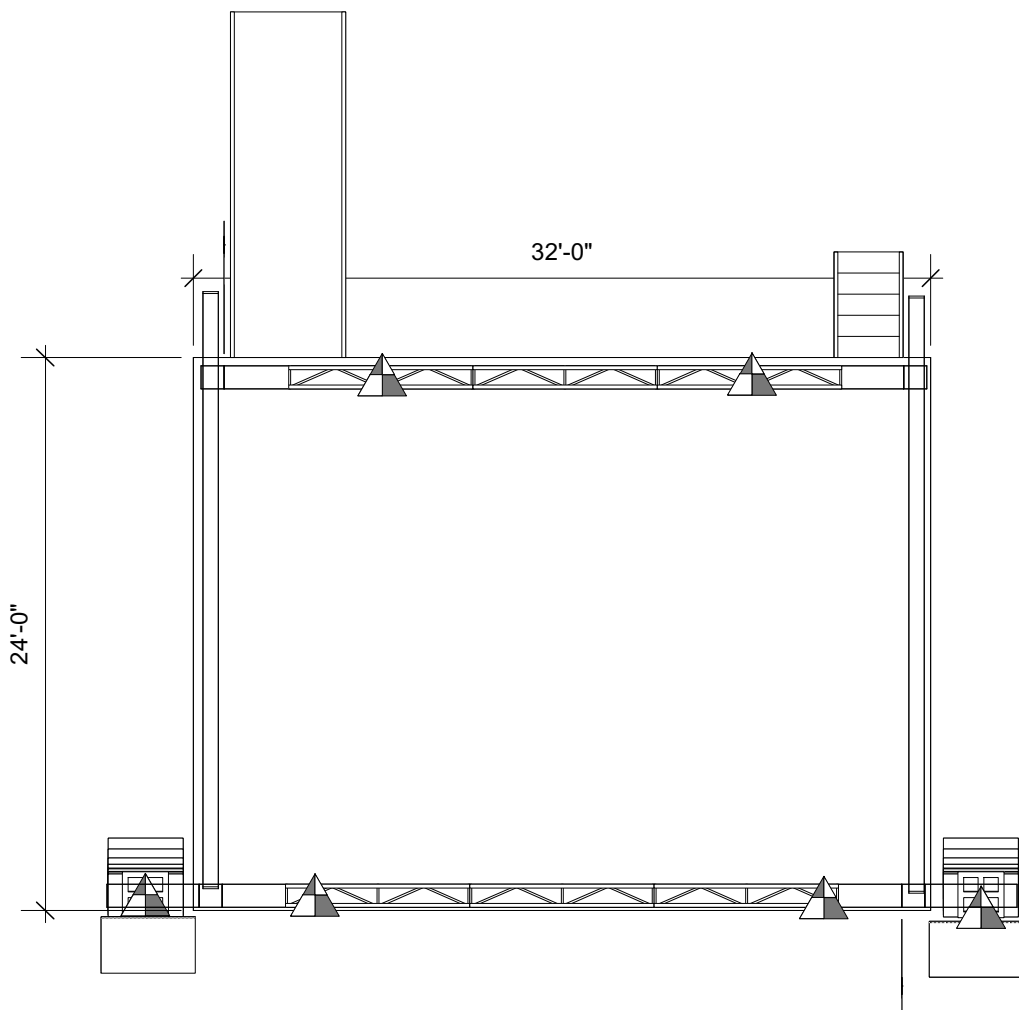
3

A

A

B

B



**TOP VIEW LOOKING DOWN**

002

The Plant Dothan, AL  
Scale: 1:100

1

2

3